

EXPORT



Sluicemaster | Panaway

Bedpan Disposal Technology





Sluicemaster *Panaway*

Bedpan Disposal Technology



Helping meet environmental targets

The Panaway is the premium model developed to meet the need for increased efficiency in bedpan management - offering the most advanced disposal performance available. The fast cycle time makes it suitable for the busiest ward and because it uses 8 litres of water less than the Classic⁺ model. The average water saving of 86,000 litres per year is achievable.

Winner of the best product for hospital interiors / environment at the Building better Healthcare Awards.

The Panaway takes bedpan disposal design to new limits, with innovative design and proven reliability:

User Friendly

- **NEW** Hands Free opening and Auto Start – As specified by infection control nurses
- Automatic Start on lid closing – reduces the risk of overloading
- Bugban[®] - Antimicrobial built in, wipe clean exterior
- Deodoriser feed – Provides a fresh scent at the end of the cycle
- The Panaway features additional sound insulation compared to the Classic⁺

Energy Efficient

- Less energy use – up to 50% less per cycle than alternatives
- Efficient disposal of up to four pulp products in 85 seconds, using only 16 litres of water
- Running on only cold water, electricity is not wasted heating water

Reliable Technical Support

- 12 months Parts Warranty
- Ring main friendly, can be fitted to a non dedicated 13 Amp fused spur (240V only)
- Microprocessor control advises on status of system during disposal cycle and self diagnosis of problems
- Front and top access for all components.



Dimensions

Sluicemaster Panaway

Height: 940mm Depth: 620mm Width: 430mm



Sluicemaster *Panaway* - Installation & Technical Data

Installation planning

Maximum run to drain 2 metres with a minimum fall of 1:25.

Minimum waste pipe size 50mm (2").

Use swept bends not 90° degree bends.

Cold water supply

Mains pressure. Ensure supply line is at no point less than 15mm.

Electrical supply

Panaway can be supplied as either a single or three phase version. Please state at time of ordering. The single phase version should be connected to a 13 Amp fused spur switch (customer supply).

The electrical supply must be to current I.E.C. regulations using the supplied two metre flying lead. The appliance must be connected to a protective earth connection.

Drainage

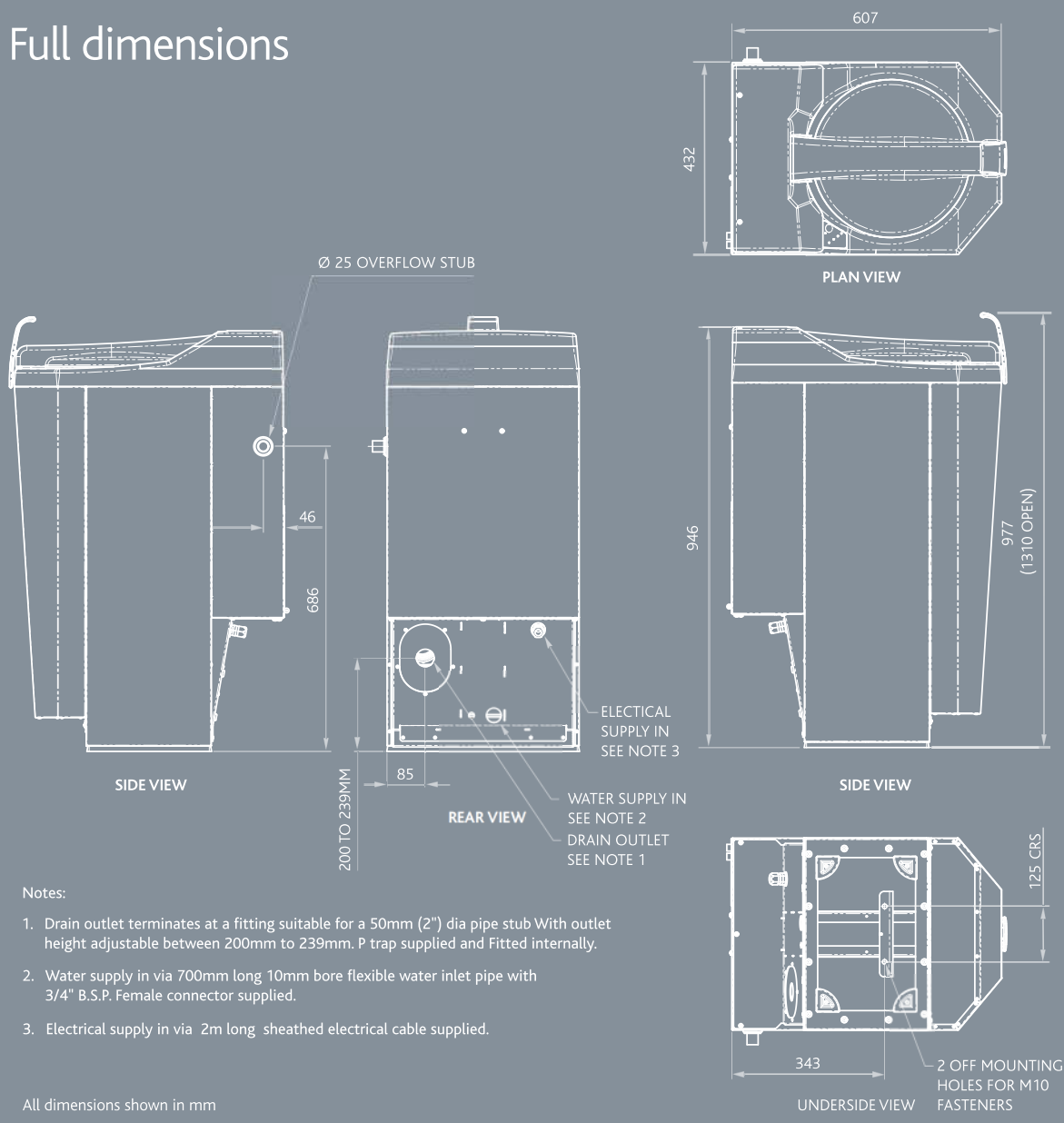
The machine is fitted with a 50mm (2") trap inside the cabinet. Ensure the route to the soil stack is shortest with minimum number of bends.

Please refer to the manual supplied with the machine for latest information and installation details as we continuously improve our products over time.

Electrical Supply

Volts	Watts	Isolator Fuse	Water Consumption	Cycle Time	Max Loading	Weight (Dry)
240 / 1 / 50	590W	13A	16 ltr / cycle	85 seconds	4 Bedpans	85Kg
400 / 3 / 50	590W	6A	16 ltr / cycle	85 seconds	4 Bedpans	85Kg

Full dimensions





SALES & SERVICE

Independent Healthcare Service Ltd.

*Unit 3 Westpoint Business Park,
Mulhuddart, Dublin 15.*

Tel: 01 443 3390

Email: info@ihsltd.ie

Website: www.ihsltd.ie

Working Together With Care...